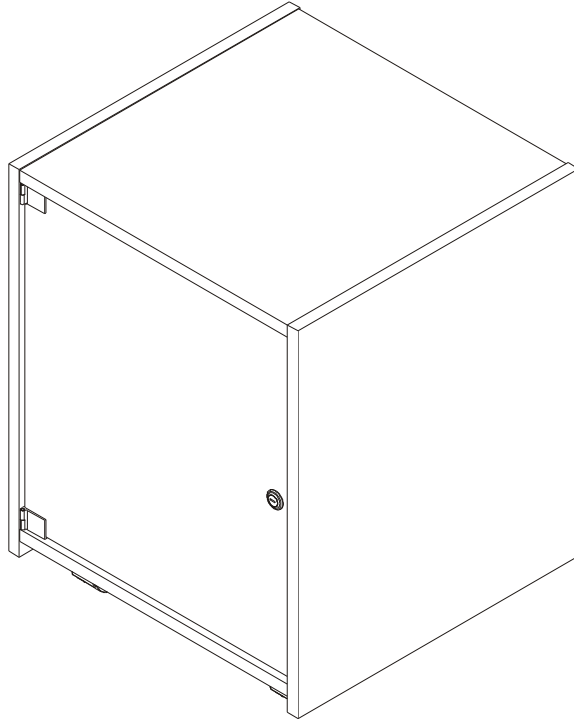

INSTALLATION INSTRUCTIONS




Elite Converta Rack


DISCLAIMER


Milestone AV Technologies and its affiliated corporations and subsidiaries (collectively "Milestone"), intend to make this manual accurate and complete. However, Milestone makes no claim that the information contained herein covers all details, conditions or variations, nor does it provide for every possible contingency in connection with the installation or use of this product. The information contained in this document is subject to change without notice or obligation of any kind. Milestone makes no representation of warranty, expressed or implied, regarding the information contained herein. Milestone assumes no responsibility for accuracy, completeness or sufficiency of the information contained in this document.


Chief® is a registered trademark of Milestone AV Technologies. All rights reserved.


 **IMPORTANT SAFETY INSTRUCTIONS**

 **WARNING:** A WARNING alerts you to the possibility of serious injury or death if you do not follow the instructions.

 **CAUTION:** A CAUTION alerts you to the possibility of damage or destruction of equipment if you do not follow the corresponding instructions.

 **WARNING:** Failure to read, thoroughly understand, and follow all instructions can result in serious personal injury, damage to equipment, or voiding of factory warranty! It is the installer's responsibility to make sure all components are properly assembled and installed using the instructions provided.

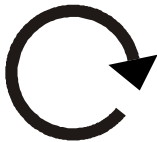

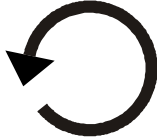

 **WARNING:** Failure to provide adequate structural strength for this component can result in serious personal injury or damage to equipment! It is the installer's responsibility to make sure the structure to which this component is attached can support five times the combined weight of all equipment. Reinforce the structure as required before installing the component.

 **WARNING:** Exceeding the weight capacity can result in serious personal injury or damage to equipment! It is the installer's responsibility to make sure the combined weight of all components located within the rack or on top of the rack does not exceed 150 lbs (68 kg). Use with products heavier than the maximum weight indicated may result in instability or collapse of the rack causing possible injury.

IMPORTANT ! : Minimum spacings between the Accessories and components and the (ITC/AV) Rack Enclosure shall be maintained for safe operation of the equipment when installed in accordance with the National Electric Code, ANSI/NFPA 70-2008. Operating temperature inside rack shall not exceed 104°F.

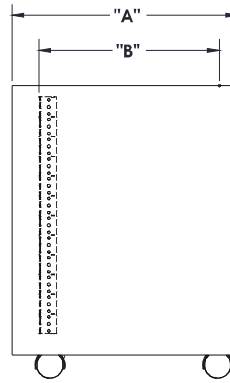
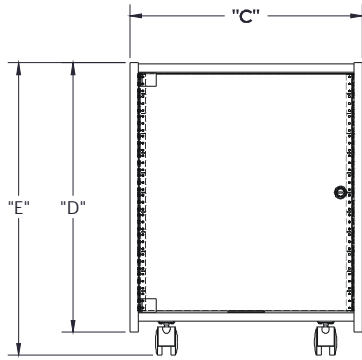
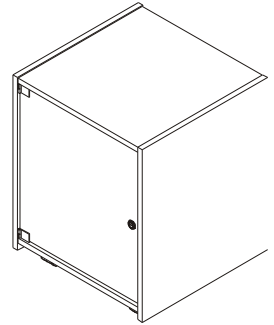
--SAVE THESE INSTRUCTIONS--

LEGEND

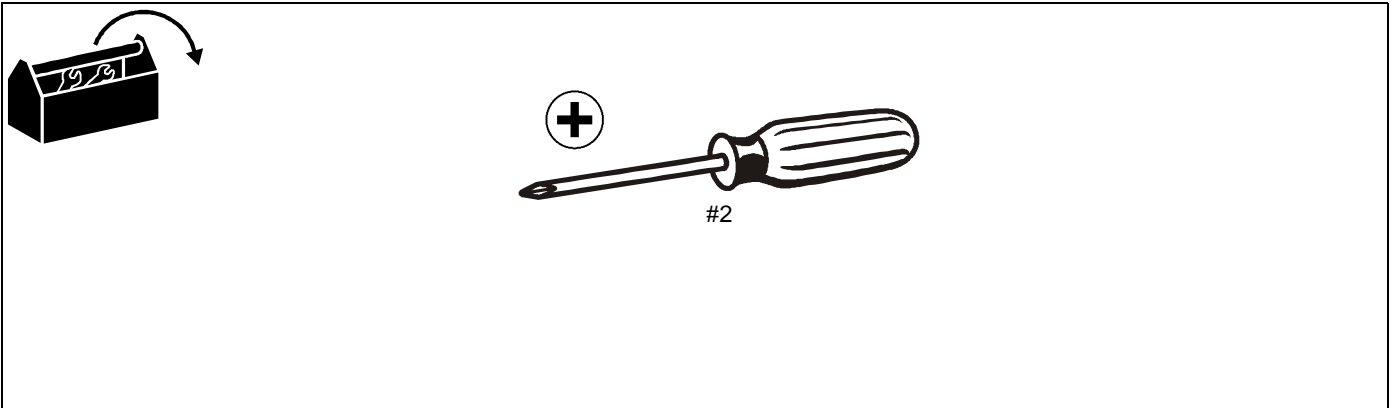
	Tighten Fastener		Phillips Screwdriver
	Apretar elemento de fijación		Destornillador Phillips
	Befestigungsteil festziehen		Kreuzschlitzschraubendreher
	Apertar fixador		Chave de fendas Phillips
	Serrare il fissaggio		Cacciavite a stella
	Bevestiging vastdraaien		Kruiskopschroevendraaier
	Serrez les fixations		Tournevis à pointe cruciforme
	Loosen Fastener		Open-Ended Wrench
	Aflojar elemento de fijación		Llave de boca
	Befestigungsteil lösen		Gabelschlüssel
	Desapertar fixador		Chave de bocas
	Allentare il fissaggio		Chiave a punte aperte
	Bevestiging losdraaien		Steeksleutel
Desserrez les fixations	Clé à fourche		

DIMENSIONS

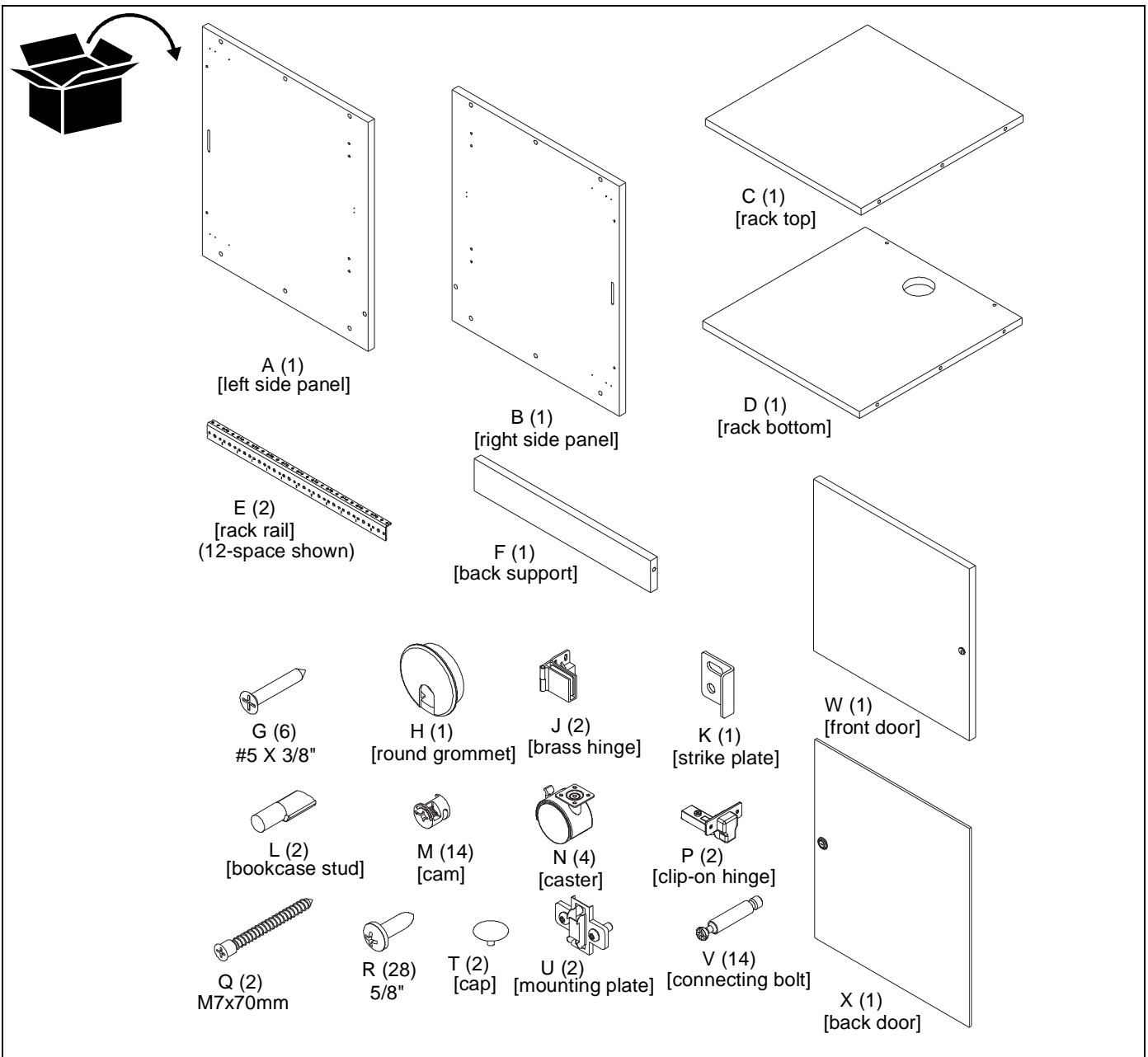
MODEL	1 RACK HEIGHT	2 "A" OVERALL DEPTH	"B" USEABLE DEPTH	3 "C" WIDTH	4 "D" HEIGHT	5 "E" HEIGHT WITH CASTERS
ECRR-12-20CH	12	20.0 [508mm]	16.0 [406mm]	20.6 [524mm]	23.9 [606mm]	26 [659mm]
ECRR-12-20WT	12	20.0 [508mm]	16.0 [406mm]	20.6 [524mm]	23.9 [606mm]	26 [659mm]
ECRR-16-20CH	16	20.0 [508mm]	16.0 [406mm]	20.6 [524mm]	30.9 [785mm]	33 [838mm]
ECRR-16-20WT	16	20.0 [508mm]	16.0 [406mm]	20.6 [524mm]	30.9 [785mm]	33 [838mm]
ECRR-20-20CH	20	20.0 [508mm]	16.0 [406mm]	20.6 [524mm]	37.9 [963mm]	40 [1016mm]
ECRR-20-20WT	20	20.0 [508mm]	16.0 [406mm]	20.6 [524mm]	37.9 [963mm]	40 [1016mm]



TOOLS REQUIRED FOR INSTALLATION



PARTS



ASSEMBLY

1. Use four #10 x 5/8" wood screws (R) to secure two rack rails (E) to two side panels (A and B). (See Figure 1)

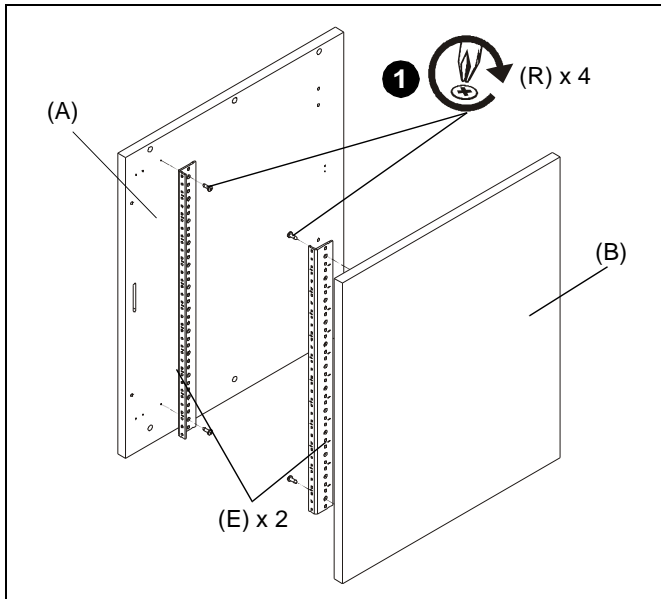


Figure 1

2. Screw seven connecting bolts (V) into each side panel (A and B). (See Figure 2)

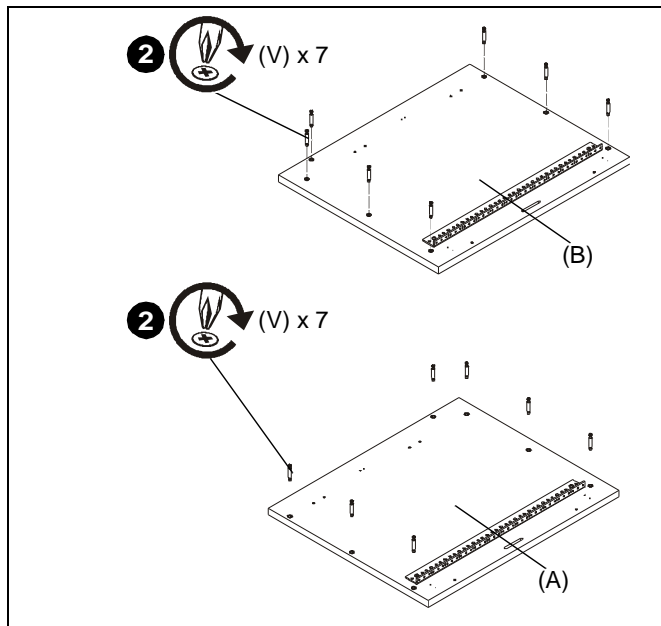


Figure 2

3. Install six cams (M) into holes on rack top (C) and rack bottom (D). (See Figure 3)
4. Install two cams (M) into holes on back support (F). (See Figure 3)

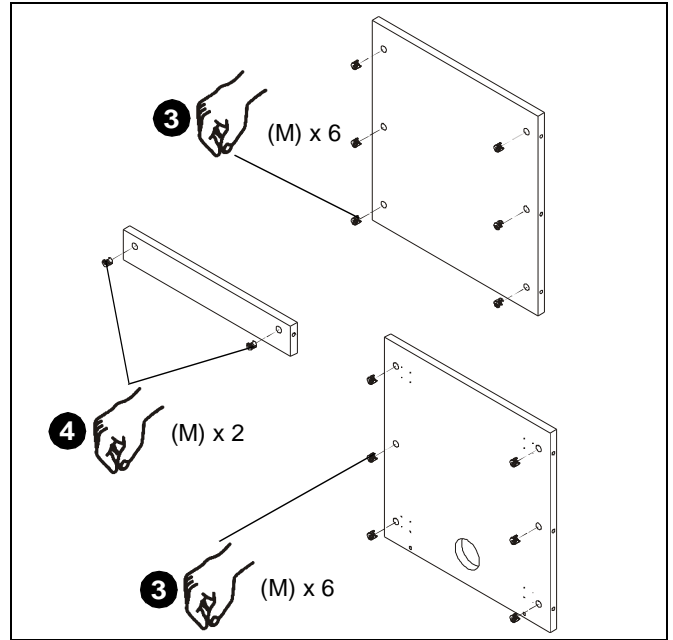


Figure 3

5. Place one side panel (A or B) on flat surface with connecting bolts (V) facing up. (See Figure 4)
6. Drop rack top (C), rack bottom (D) and back support (F) onto side panel with cams (M) engaging with connecting bolts (V). (See Figure 4)

NOTE: Make sure the caster holes on the rack bottom are on the bottom and that the rack top has no holes facing up.

7. Turn all cams clockwise to secure side panel. (See Figure 4)
8. Drop other side panel (A or B) onto rack top (C), rack bottom (D) and back support (F) with cams (M) engaging with connecting bolts (V). (See Figure 4)
9. Turn all cams clockwise to secure side panel. (See Figure 4)

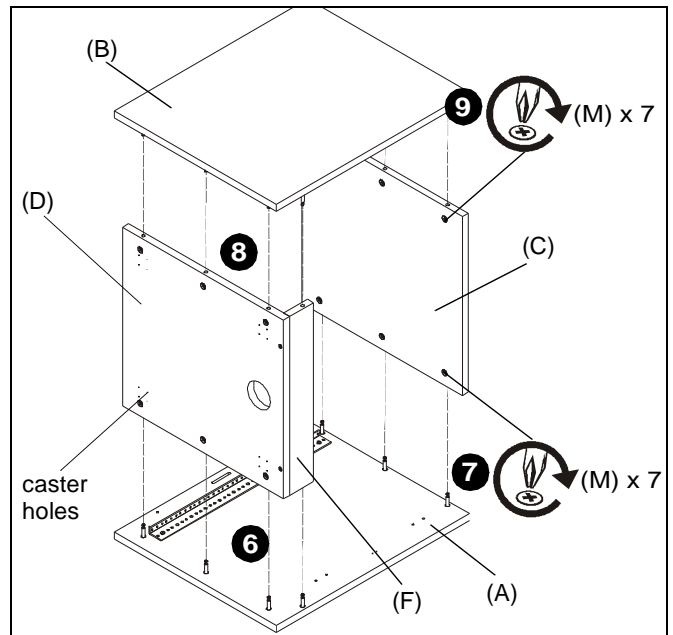


Figure 4

10. Use two M7x70mm confirmat screws (Q) to secure back support (F) to rack bottom (D). (See Figure 5)
11. Press two caps (T) onto two confirmat screws (Q). (See Figure 5)

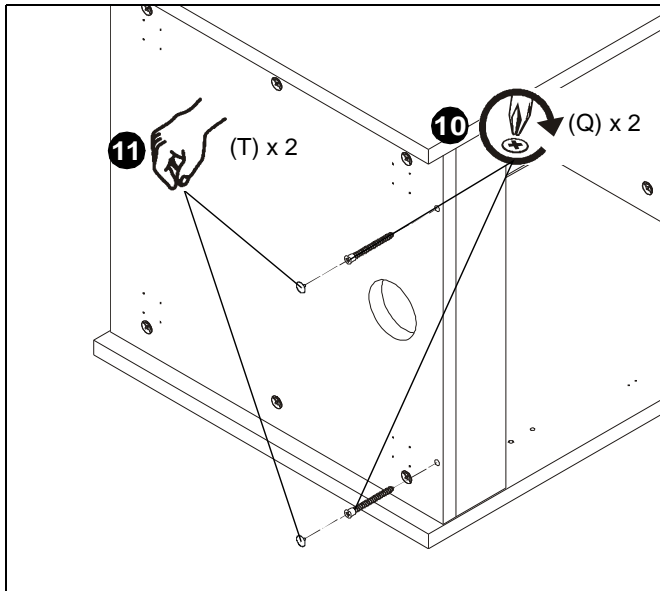


Figure 5

12. Use two #10- x 5/8" wood screws (R) to secure each brass hinge (J) to side panel (A or B). (See Figure 6)

NOTE: Door can be attached to either side panel based on user preference.

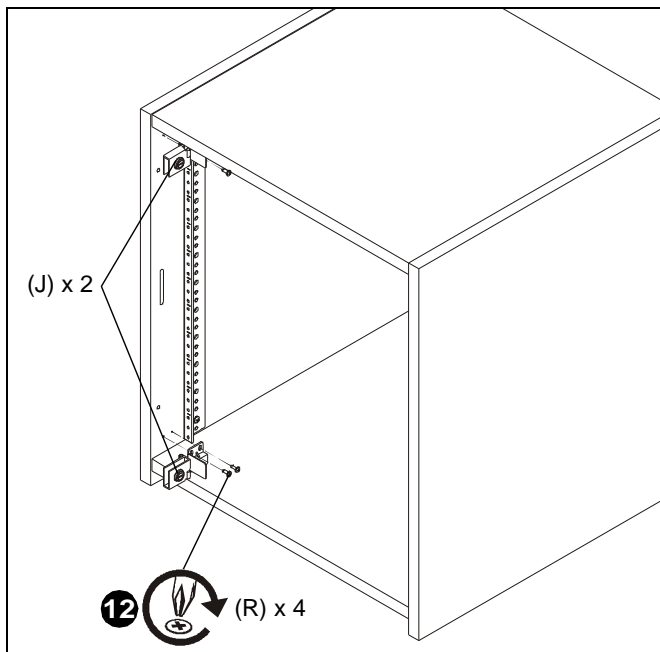


Figure 6

13. Slide front door (W) into brass hinges (J). (See Figure 7)
14. Tighten screws on brass hinges (J) to secure door to hinges. (See Figure 7)

15. Install two bookcase studs (L) into holes on opposite side panel. (See Figure 7)

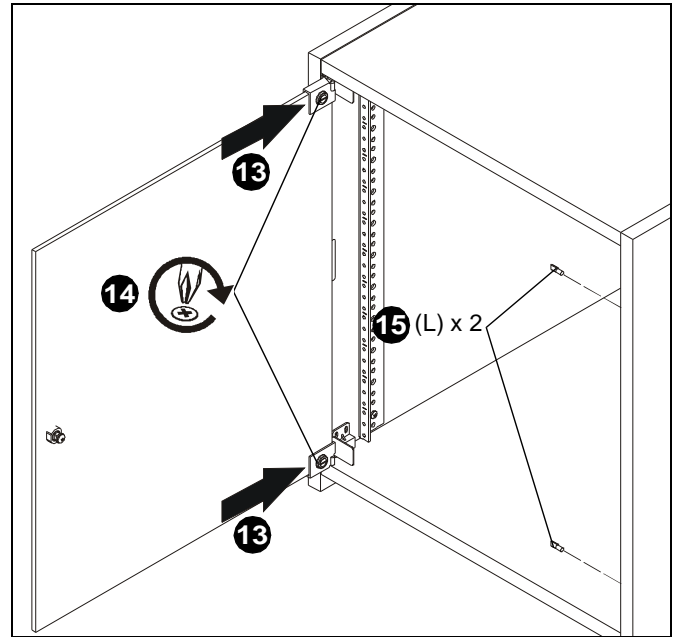


Figure 7

16. Use four #5 x 3/8" flat head wood screws (G) to secure two clip-on hinges (P) to back door (X). (See Figure 8)

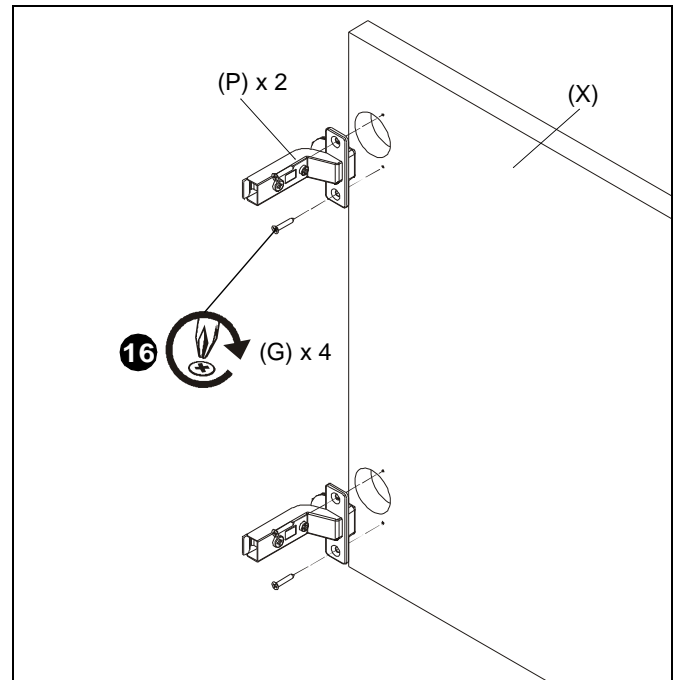


Figure 8

17. Use pre-installed screws to attach two mounting plates (U) to side panel where door hinges will be installed. (See Figure 9)
18. Use two #10 x 5/8" wood screws (R) to attach strike plate (K) to opposite side panel. (See Figure 9)

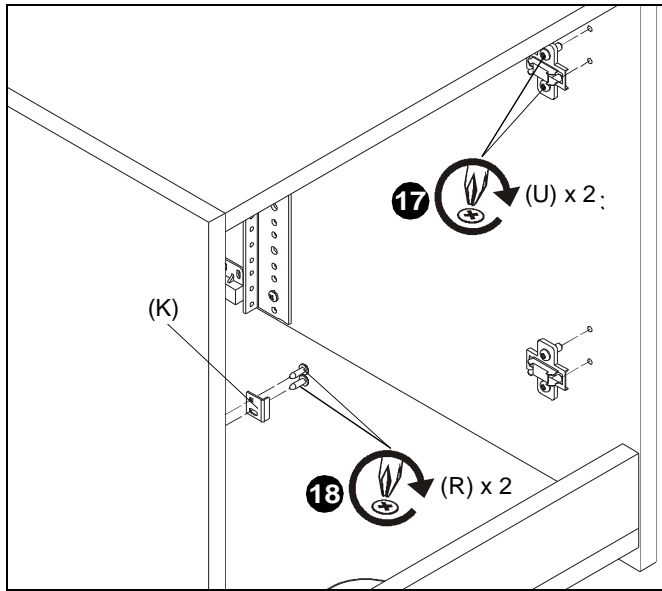


Figure 9

20. Install round grommet (H) into hole on rack bottom (D). (See Figure 11)

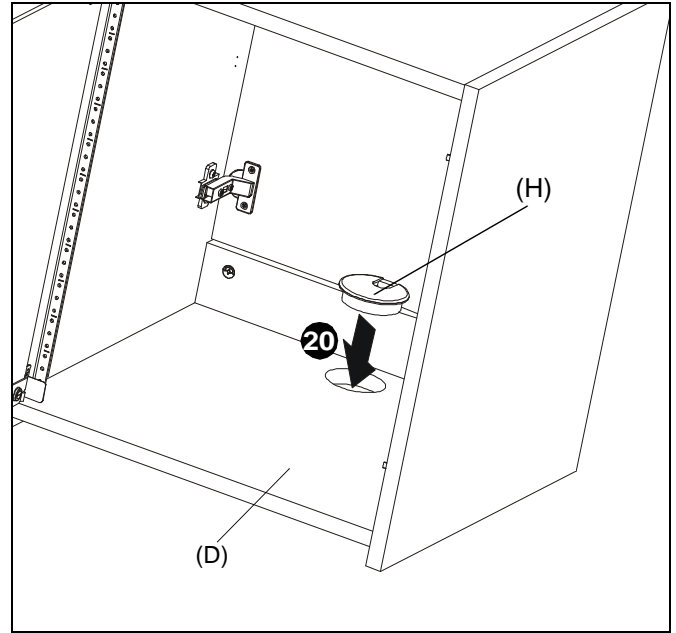


Figure 11

19. Connect clip-on hinges (P) to mounting plates (U) by following these three steps:
 - a. Place hinge on mounting plate making sure front tabs latch onto front end of plate. (See Figure 10)
 - b. Pull up lever on end of hinge. (See Figure 10)
 - c. Wrap hinge around plate and release lever. (See Figure 10)

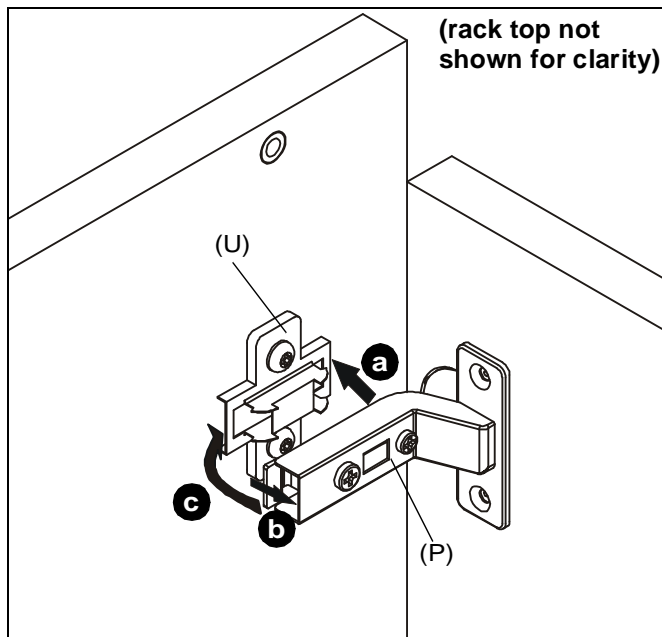


Figure 10

21. Use 16 #10-5/8" wood screws (R) to secure four casters (N) to rack bottom. (See Figure 12)

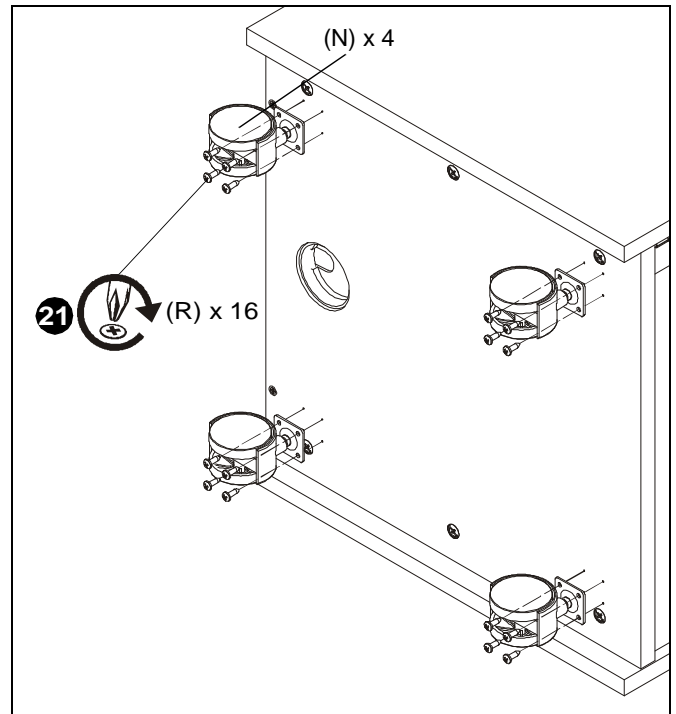


Figure 12



Our Mounts. **Your Vision.**

Chief Manufacturing, a products division
of Milestone AV Technologies

8800-002327 Rev00
©2013 Milestone AV Technologies, a
Duchossois Group Company
www.chiefmfg.com
03/13

USA/International	A 6436 City West Parkway, Eden Prairie, MN 55344 P 800.582.6480 / 952.225.6000 F 877.894.6918 / 952.894.6918
Europe	A Franklinstraat 14, 6003 DK Weert, Netherlands P +31 (0) 495 580 852 F +31 (0) 495 580 845
Asia Pacific	A Office No. 1 on 12/F, Shatin Galleria 18-24 Shan Mei Street Fotan, Shatin, Hong Kong P 852 2145 4099 F 852 2145 4477

